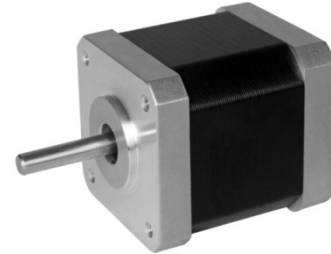


2 Phase Hybrid Stepper Motor

42PH Series, 1.8 degree, Nema 17, 42 mm

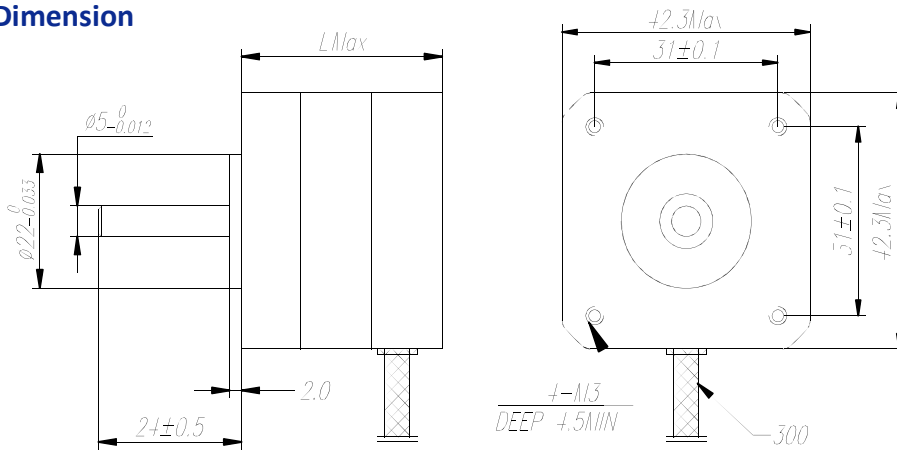
Step Angle	1.8°
Step Angle Accuracy	±5% (full step, no load)
Resistance Accuracy	±10%
Inductance Accuracy	±20%
Temperature Rise	80 °C Max.(rated current, 2 phase on)
Ambient Temperature	-10 °C ~ +50 °C
Insulation Resistance	100 MΩ Min., 500VDC
Dielectric Strength	500 VAC for one minute
Shaft Radial Play	0.02 Max. (450 g-load)
Shaft Axial Play	0.08 Max. (450 g-load)



■ Technical Specifications

Model	Current	Resistance	Inductance	Holding Torque	Detent Torque	Rotor Inertia	Bi/Unipolar	Weight	Length
	A/∅	Ω/∅	mH/∅	Ncm	Ncm	gcm ²	# of Leads	g	mm
42 PH 03	1.7	1.2	1.8	28	1.6	34	Bi (4)	220	34
42 PH 04	1.7	1.5	2.8	40	2.2	54	Bi (4)	280	40
42 PH 05	1.7	1.8	3.5	52	2.6	68	Bi (4)	350	48

■ Mechanical Dimension



■ Wiring Diagram

